

FINGERPRINT KEY

Biometrics

OVERVIEW

The Fingerprint Key is an effective fingerprint biometric reader available in two memory configurations supporting from 500 to 3,000 stored user templates.

The Fingerprint Key comes standard with an illuminated sensor, touch-sensor keypad, as well as an optional internal iCLASS card reader – providing multiple ways for granting authenticated access.

Sealed in a sturdy NEMA 4, IP65-rated enclosure, the Fingerprint Key is the perfect choice for any environment installation.

The Fingerprint Key supports fingerprint template distribution between networked readers, eliminating the need to enroll system users at each reader. A user is simply enrolled at any connected Fingerprint Key, and then the user's templates are automatically transferred to system readers based upon individual access rights.

CONNECTIVITY STANDARDS

Supporting the communication standards for access control readers, the Fingerprint Key is capable of interfacing with e-DATA Access Control via the supported RS485 and Wiegand interface options.

FEATURES

- Supports read/write technologies (via RS485)
- NEMA 4, IP65-rated enclosure
- Network template distribution between readers
- Illuminated sensor and sensor-touch keypad
- Standalone and networked operation
- Color LED and audible indicators
- Three color options: black, white, silver
- Stores 500 or 3,000 user templates
- Secure administration login
- Prompted user enrollment
- Optional internal iCLASS card reader
- Smart card/PIN code verification
- Multiple enrollment modes

THIRD-PARTY SYSTEMS

The Fingerprint Key Wiegand interface supports third-party access systems capable of decoding many HID data formats. When configured using an e-DATA Master Unit, enhanced template management is supported for use with third-party access controllers.



FUNCTIONALITY

RS485 MODE

Supports fingerprint template distribution using e-DATA Access

WIEGAND MODE

Supports third-party systems and biometrics on card

MANAGED MODE

Using e-DATA Master Units and Door Units, allows communication over both RS485 and Wiegand connections for subsystem template management to third-party systems.

SDU MODE

For use with the non-networked e-DATA Single Door Unit



Manufacturing Security Solutions for the Self Storage Industry





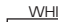



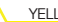


FINGERPRINT KEY

Biometrics

SPECIFICATIONS

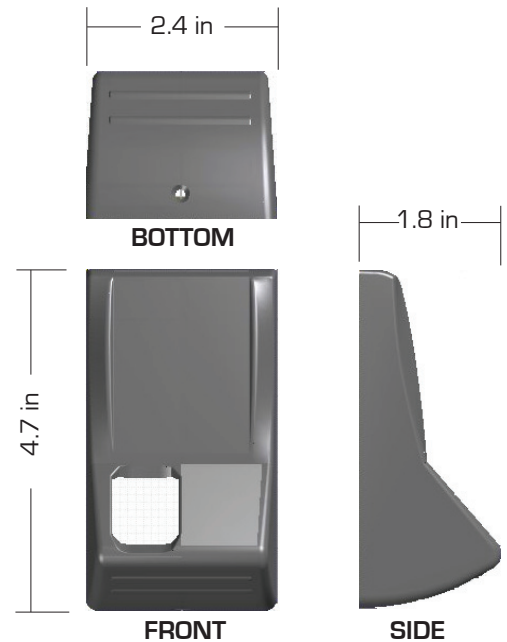
Credentials	Fingerprint biometric, PIN, iCLASS
Host interface	RS485, Wiegand
Search modes	1-to-1 verification, 1-to-many identification
Response/reads	Enrollment <= 1 sec // Identification <= 1 sec // Verification <= 0.8 sec // FAR & FRR = Adjustable
Fingerprint sensor	Thin optical sensor, 500 dpi @ 8-bit per pixel, .55 x .87 in [14mm x 22mm] active area
Templates	500 or 3,000 user storage capacity, ~130 to 250 bytes size
Mechanical	NEMA 4 IP65-rated, resin-sealed hard plastic enclosure, single-gang mount, metal mounting plate
Installation	Indoor/outdoor
Power	Input: 12 to 24V DC [24V DC recommended] // Max.: 420 mA @12V DC // Idle: 120 mA @ 12V DC
Dimensions	4.7 x 2.4 x 1.8 in [120 x 60 x 45 mm]
Packaged weight	.85 lb [386 g]
Operating temp.	32 to 122° F [0 to 50° C]
Relative humidity	0 to 95%, non-condensing

CABLE ALLOCATION

	PURPOSE	CONNECTORS ON DOOR UNIT	
		RS485	WIEGAND
	RS485A	X38/X39 [3]	-
	RS485B	X38/X39 [2]	-
	DC in +12...24V	X36/X37 (+)	X36/X37 (+)
	DC in [-]	X36/X37 (-)	X36/X37 (-)
	Wiegand Out D1	-	X38/X39 [2]
	Wiegand Out D0	-	X38/X39 [3]
	Wiegand ground	-	X38/X39 [1]
	Green LEDs (Opto-In 1)	-	X15/X17 [1]
	Beeper (Opto-In 2)	-	X16/X18 [1]
	Tamper Switch 1	-	-
	Tamper Switch 2	-	-

NOTE: RS485 for e-DATA Biometric Access Control only

DIMENSIONAL DRAWING



Stor-Guard, LLC | 1819 Central Avenue South Suite# 66 | Kent, WA 98035-1735 | Phone: 800-651-3129 | www.stor-guard.com

e-DATA CERTIFICATIONS/AFFILIATIONS

